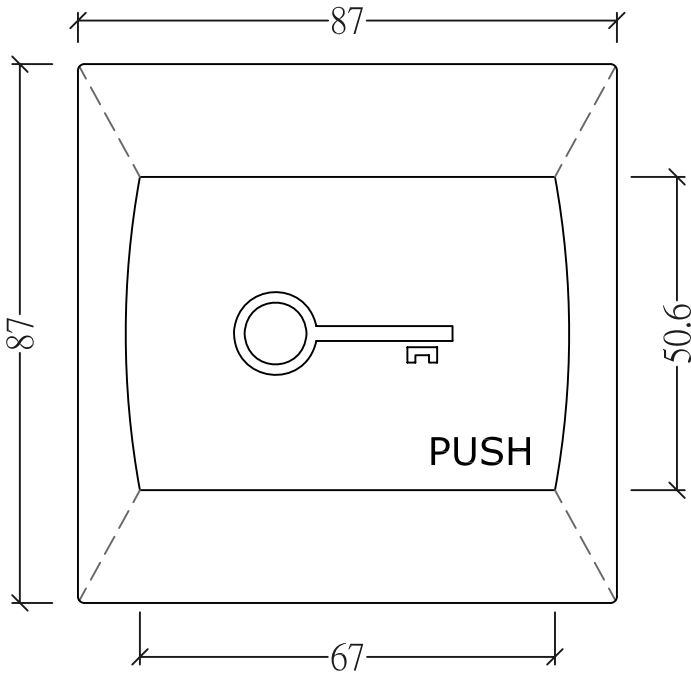
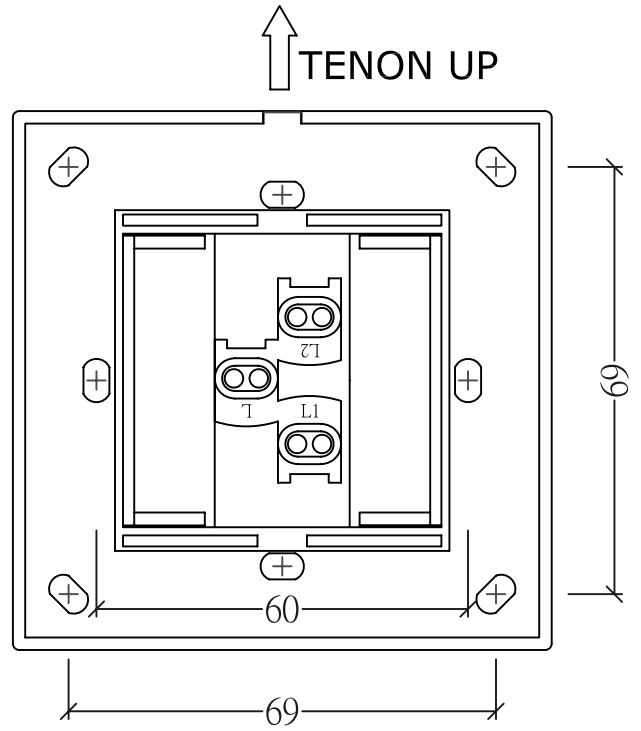


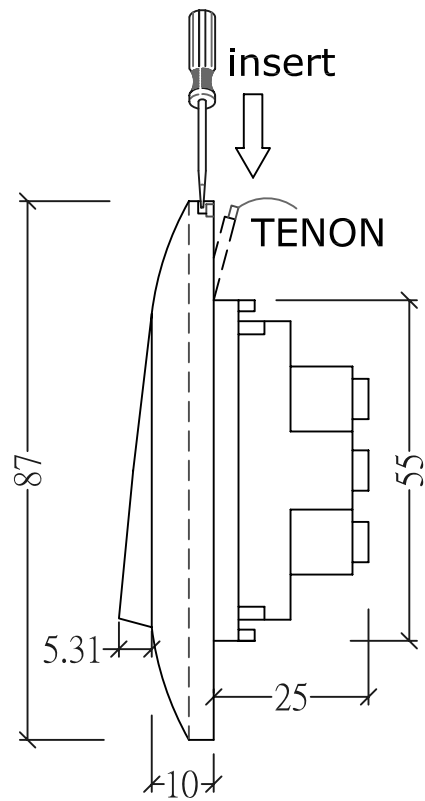
dimensions of push button unit : mm



FRONT VIEW



BACK VIEW



SIDE VIEW