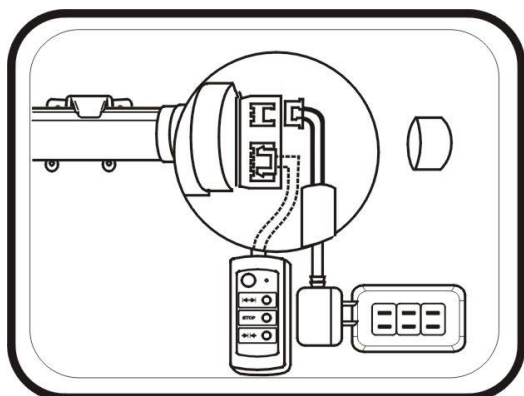


# CTRF-3 Motorized curtain track operation manual

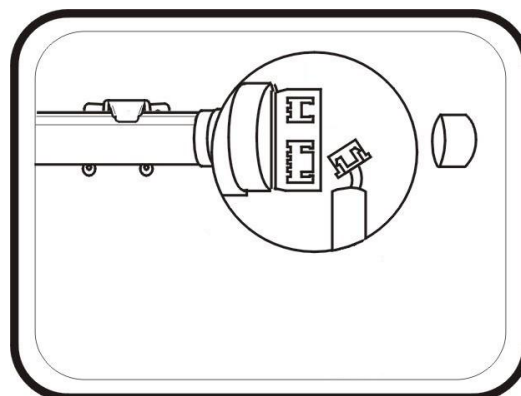
## I. Wire connect :

(Picture 1)



1. Receiver wire connects to 4Pin.
2. Transformer wire connects wire to 2Pin and plug into the socket.

(Picture 2)



Another motor did not connect power supply; only connect 2 wires to 4pin.

## II. Curtain action:

(A). Receiver button :

1.  $\leftarrow \rightarrow$  : OPEN: While curtain is closing, press OPEN key curtain will stop, press OPEN key again curtain will opening.
2.  $\rightarrow \leftarrow$  : CLOSE: While curtain is opening, press CLOSE key curtain will stop, press CLOSE key again curtain will closing.
3. STOP : action stop.

(B). Transmitter :

1.  $\triangle$  : OPEN: While curtain is closing, press OPEN key curtain will stop, press OPEN key again curtain will opening.
2.  $\square$  : STOP: While curtain is running, press STOP key action will stop. When receiver is locked, press this STOP key will unlock receiver.
3.  $\nabla$  : CLOSE: While curtain is opening, press CLOSE key curtain will stop, press CLOSE key again curtain will closing.
4.  $\circ$  : OFF: Lock receiver, press other keys did not work until press STOP key.

(C). X10: 【 N.O. contact on back of receiver 】 : action is recycle mode: open $\rightarrow$ stop $\rightarrow$ close $\rightarrow$ stop $\rightarrow$ open.....

## III. Clean code and learning mode :

- (A). Clean code : take receiver cover away and find CLEAN switch, power off 15secs then power on, press CLEAN switch will beeps 5secs, press UP and DOWN key of new transmitter at the same time during beeps, old codes removed. If did not press UP and DOWN keys during beeps, receiver still memory old codes.
- (B). Add transmitters : Take transmitter that can control receiver, press STOP and OFF keys, beep 3 sounds into learning mode, press STOP key of new transmitters, receiver memory this code, after 5secs did not get signal will long beep to quit learning mode.
- (C). Receiver memory 30sets transmitter codes.